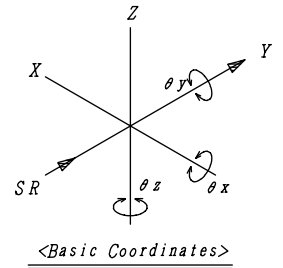
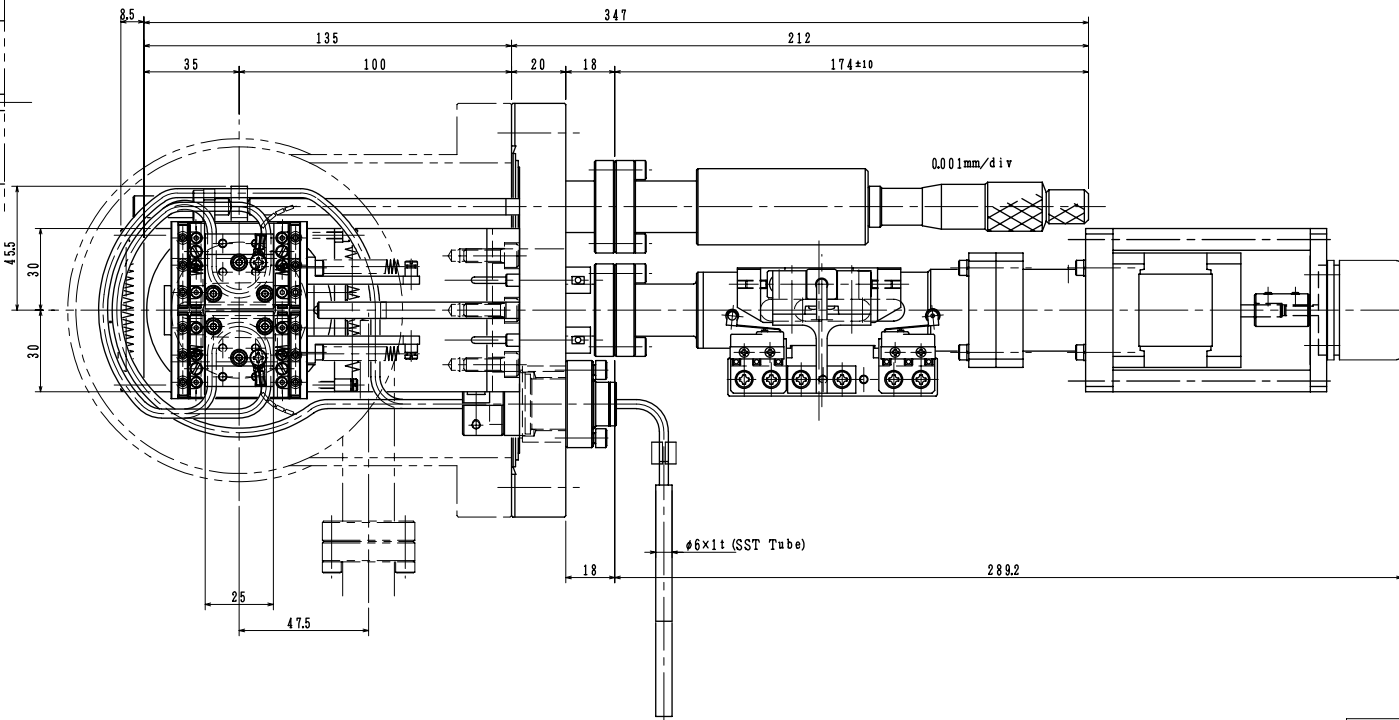


X-X Section



| AXIS | Adjustable Range | Resolution |
|------------|------------------|--------------|
| Slit Width | 0~2mm | 0.2μm/Pulse |
| θ_y | ±34.9mmrad | 26.3μrad/div |
| Z | ±3mm | 0.01mm/div |

Details of precise slit mechanics of BOREAS beamline

| | | | |
|------------------------|------------------------------------|---------------------------------|---|
| CHECKED BY 08-07-23 | DESIGNED BY Akiyama 08-07-23 | DRAWN BY Akiyama 08-07-23 | TITLE ALBA XMCD BEAMLINE SLIT MECH |
| | | SCALE 1:1 | DWG No. 1AG-00707 |

UNIT:mm